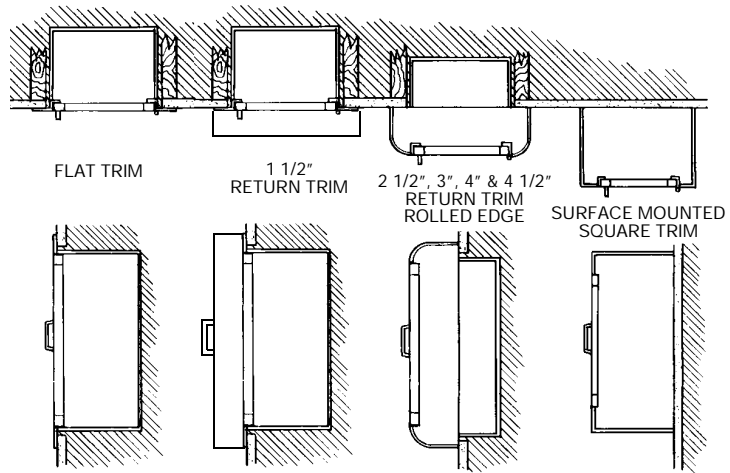
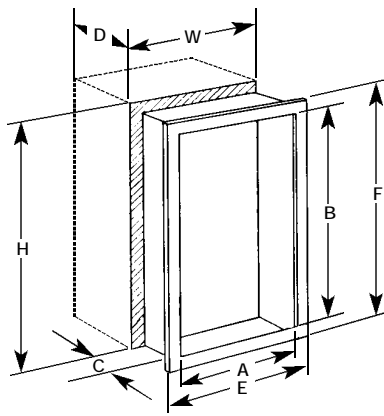


CABINET SPECIFICATIONS

- Trim and door material - aluminum #180 clear anodized finish • Tub - steel with electrostatic white epoxy primer finish • 1 3/4" wide face trim on frame and door • Door formed with 5/8" nominal thickness
- Standard door hardware - continuous hinge, zinc plated pull handle/roller catch
- SAF-T-LOK doors - cylinder lock with flexible cam

EXPLODED TOP AND SIDE VIEWS
REFER TO DIMENSIONS TABLE BELOW



DIMENSIONS IN INCHES

| MODEL # | TRIM STYLE | TUB I.D. | | | FRAME O.D. | | WALL OPENING NON-RATED | | | ACCOMMODATES THESE J.L. EXTINGUISHERS |
|----------|------------|-----------|----------|--------|------------|---------|------------------------|---------|--------|---------------------------------------|
| | | A | B | C | E | F | W | H | D | |
| ___1825* | FLAT TRIM | 10 1/2" | 24" | 5 1/2" | 13 7/8" | 27 3/8" | 11 1/2" | 25" | 5 1/2" | Cosmic 2 |
| ___1826* | 1 1/2" | 10 1/2" | 24" | 5 1/2" | 13 7/8" | 27 3/8" | 11 1/2" | 25" | 4" | 1/2E, 5E, 5X |
| ___1827* | 3" | 10 1/2" | 24" | 5 1/2" | 13 7/8" | 27 3/8" | 11 1/2" | 25" | 3 1/4" | Galaxy 2 1/2, |
| ___1822* | 4" | 10 1/2" | 24" | 5 1/2" | 13 7/8" | 27 3/8" | 11 1/2" | 25" | 2 1/4" | 5, 5 1/2 |
| ___1828 | 4 1/2" | 10 1/2" | 24" | 5 1/2" | 13 7/8" | 27 3/8" | 11 1/2" | 25" | 1 3/4" | Mercury 2 1/2, 5 |
| ___1024* | TRIMLESS | 10 1/2" | 24" | 6" | 10 3/4" | 24 1/4" | 11" | 24 1/2" | 6 1/4" | Cosmic 2 |
| ___1025* | FLAT TRIM | 10 1/2" | 24" | 6" | 13 7/8" | 27 3/8" | 11 1/2" | 25" | 6" | 1/2E, 5E, 5X , |
| ___1026* | 1 1/2" | 10 1/2" | 24" | 6" | 13 7/8" | 27 3/8" | 11 1/2" | 25" | 4 1/2" | 6E, 10E |
| ___1027* | 3" | 10 1/2" | 24" | 6" | 13 7/8" | 27 3/8" | 11 1/2" | 25" | 3 3/4" | Galaxy 2 1/2, |
| ___1022* | 4" | 10 1/2" | 24" | 6" | 13 7/8" | 27 3/8" | 11 1/2" | 25" | 2 3/4" | 5, 5 1/2, 6, 10 |
| ___1028 | 4 1/2" | 10 1/2" | 24" | 6" | 13 7/8" | 27 3/8" | 11 1/2" | 25" | 2 1/4" | Sentinel 5 |
| ___1023 | SURF. MTD. | 13 11/16" | 27 3/16" | 6 5/8" | 13 7/8" | 27 3/8" | - | - | - | Mercury 2 1/2, 5 |
| ___2024* | TRIMLESS | 12" | 27" | 7 3/4" | 12 1/4" | 27 1/4" | 12 1/2" | 27 1/2" | 7 7/8" | Any Cosmic, |
| ___2025* | FLAT TRIM | 12" | 27" | 7 3/4" | 15 3/8" | 30 3/8" | 13" | 28" | 7 7/8" | Any Galaxy |
| ___2026* | 1 1/4" | 12" | 27" | 7 3/4" | 15 3/8" | 30 3/8" | 13" | 28" | 6 3/4" | Grenadier P, |
| ___2027* | 2 1/2" | 12" | 27" | 7 3/4" | 15 3/8" | 30 3/8" | 13" | 28" | 6" | Sentinel 5, 10 |
| ___2022* | 4" | 12" | 27" | 7 3/4" | 15 3/8" | 30 3/8" | 13" | 28" | 4 1/2" | Mercury 2 1/2, 5 |
| ___2028 | 4 1/2" | 12" | 27" | 7 3/4" | 15 3/8" | 30 3/8" | 13" | 28" | 4" | Saturn 15, 25 |
| ___2023 | SURF. MTD. | 15 3/16" | 30 3/16" | 8 1/4" | 15 3/8" | 30 3/8" | - | - | - | |
| ___3025* | FLAT TRIM | 16" | 32" | 7 3/4" | 19 3/8" | 35 3/8" | 17" | 33" | 7 7/8" | Any Cosmic, |
| ___3026* | 1 1/4" | 16" | 32" | 7 3/4" | 19 3/8" | 35 3/8" | 17" | 33" | 6 3/4" | Any Galaxy |
| ___3027* | 2 1/2" | 16" | 32" | 7 3/4" | 19 3/8" | 35 3/8" | 17" | 33" | 6" | Grenadier P, |
| ___3022* | 4" | 16" | 32" | 7 3/4" | 19 3/8" | 35 3/8" | 17" | 33" | 4 1/2" | Sentinel 5,10,15 |
| ___3028 | 4 1/2" | 16" | 32" | 7 3/4" | 19 3/8" | 35 3/8" | 17" | 33" | 4" | Mercury 2 1/2, 5 |
| ___3023 | SURF. MTD. | 19 3/16" | 35 3/16" | 8 1/4" | 19 3/8" | 35 3/8" | - | - | - | Saturn 15, 25 |
| ___4025* | FLAT TRIM | 20" | 27" | 7 3/4" | 23 3/8" | 30 3/8" | 21" | 28" | 7 7/8" | Two each of: |
| ___4026* | 1 1/4" | 20" | 27" | 7 3/4" | 23 3/8" | 30 3/8" | 21" | 28" | 6 3/4" | Any Cosmic |
| ___4027* | 2 1/2" | 20" | 27" | 7 3/4" | 23 3/8" | 30 3/8" | 21" | 28" | 6" | Any Galaxy |
| ___4022* | 4" | 20" | 27" | 7 3/4" | 23 3/8" | 30 3/8" | 21" | 28" | 4 1/2" | Grenadier P, |
| ___4028 | 4 1/2" | 20" | 27" | 7 3/4" | 23 3/8" | 30 3/8" | 21" | 28" | 4" | Sentinel 5, 10 |
| ___4023 | SURF. MTD. | 23 3/16" | 30 3/16" | 8 1/4" | 23 3/8" | 30 3/8" | - | - | - | Mercury 2 1/2, 5 |

*MEETS A.D.A. PROJECTION CRITERIA

Look to JL Industries for Additional Products Including: • Access Panels • Roof Hatches • Floor Doors • Floor Mats and Gratings • Security Products • Life Safety - Automated External Defibrillators, Emergency Oxygen and Cabinets