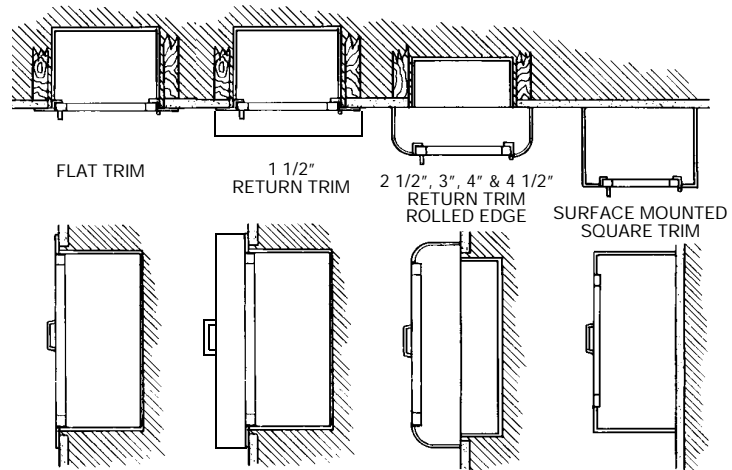
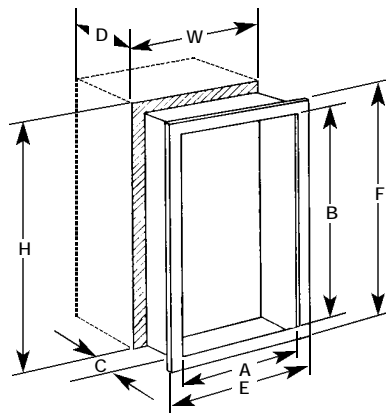


CABINET SPECIFICATIONS

- Trim, tub and door material - steel with electrostatic white epoxy primer finish • 1 3/4" wide face trim on frame and door
- Door formed with 5/8" nominal thickness
- Standard door hardware - continuous hinge, zinc plated pull handle/roller catch
- SAF-T-LOK doors - cylinder lock with flexible cam

EXPLODED TOP AND SIDE VIEWS
REFER TO DIMENSIONS TABLE BELOW



DIMENSIONS IN INCHES

MODEL #	TRIM STYLE	TUB I.D.			FRAME O.D.		WALL OPENING NON-RATED			ACCOMMODATES THESE J.L. EXTINGUISHERS
		A	B	C	E	F	W	H	D	
___1815*	FLAT TRIM	10 1/2"	24"	5 1/2"	13 7/8"	27 3/8"	11 1/2"	25"	5 1/2"	Cosmic 2 1/2E, 5E, 5X Galaxy 2 1/2, 5, 5 1/2 Mercury 2 1/2, 5
___1816*	1 1/2"	10 1/2"	24"	5 1/2"	13 7/8"	27 3/8"	11 1/2"	25"	4"	
___1817*	3"	10 1/2"	24"	5 1/2"	13 7/8"	27 3/8"	11 1/2"	25"	2 5/8"	
___1812*	4"	10 1/2"	24"	5 1/2"	13 7/8"	27 3/8"	11 1/2"	25"	1 5/8"	
___1818	4 1/2"	10 1/2"	24"	5 1/2"	13 7/8"	27 3/8"	11 1/2"	25"	1 1/8"	
___1014*	TRIMLESS	10 1/2"	24"	6"	10 3/4"	24 1/4"	11"	24 1/2"	6 1/4"	Cosmic 2 1/2E, 5E, 5X, 6E, 10E Galaxy 2 1/2, 5, 5 1/2, 6, 10 Sentinel 5 Mercury 2 1/2, 5
___1015*	FLAT TRIM	10 1/2"	24"	6"	13 7/8"	27 3/8"	11 1/2"	25"	6"	
___1016*	1 1/2"	10 1/2"	24"	6"	13 7/8"	27 3/8"	11 1/2"	25"	4 1/2"	
___1017*	3"	10 1/2"	24"	6"	13 7/8"	27 3/8"	11 1/2"	25"	3 1/8"	
___1012*	4"	10 1/2"	24"	6"	13 7/8"	27 3/8"	11 1/2"	25"	2 1/8"	
___1018	4 1/2"	10 1/2"	24"	6"	13 7/8"	27 3/8"	11 1/2"	25"	1 5/8"	
___1013	SURF. MTD.	13 11/16"	27 3/16"	6 5/8"	13 7/8"	27 3/8"	-	-	-	
___2014*	TRIMLESS	12"	27"	7 3/4"	12 1/4"	27 1/4"	12 1/2"	27 1/2"	7 7/8"	
___2015*	FLAT TRIM	12"	27"	7 3/4"	15 3/8"	30 3/8"	13"	28"	7 7/8"	Any Cosmic, Any Galaxy Grenadier P, Sentinel 5, 10 Mercury 2 1/2, 5 Saturn 15, 25
___2016*	1 1/4"	12"	27"	7 3/4"	15 3/8"	30 3/8"	13"	28"	6 3/4"	
___2017*	2 1/2"	12"	27"	7 3/4"	15 3/8"	30 3/8"	13"	28"	5 1/2"	
___2012*	4"	12"	27"	7 3/4"	15 3/8"	30 3/8"	13"	28"	4"	
___2018	4 1/2"	12"	27"	7 3/4"	15 3/8"	30 3/8"	13"	28"	3 1/2"	
___2013	SURF. MTD.	15 3/16"	30 3/16"	8 1/4"	15 3/8"	30 3/8"	-	-	-	
___3015*	FLAT TRIM	16"	32"	7 3/4"	19 3/8"	35 3/8"	17"	33"	7 7/8"	Any Cosmic, Any Galaxy Grenadier P, Sentinel 5,10,15 Mercury 2 1/2, 5 Saturn 15, 25
___3016*	1 1/4"	16"	32"	7 3/4"	19 3/8"	35 3/8"	17"	33"	6 3/4"	
___3017*	2 1/2"	16"	32"	7 3/4"	19 3/8"	35 3/8"	17"	33"	5 1/2"	
___3012*	4"	16"	32"	7 3/4"	19 3/8"	35 3/8"	17"	33"	4"	
___3018	4 1/2"	16"	32"	7 3/4"	19 3/8"	35 3/8"	17"	33"	3 1/2"	
___3013	SURF. MTD.	19 3/16"	35 3/16"	8 1/4"	19 3/8"	35 3/8"	-	-	-	
___4015*	FLAT TRIM	20"	27"	7 3/4"	23 3/8"	30 3/8"	21"	28"	7 7/8"	Two each of: Any Cosmic Any Galaxy Grenadier P, Sentinel 5, 10 Mercury 2 1/2, 5 Saturn 15, 25
___4016*	1 1/4"	20"	27"	7 3/4"	23 3/8"	30 3/8"	21"	28"	6 3/4"	
___4017*	2 1/2"	20"	27"	7 3/4"	23 3/8"	30 3/8"	21"	28"	5 1/2"	
___4012*	4"	20"	27"	7 3/4"	23 3/8"	30 3/8"	21"	28"	4"	
___4018	4 1/2"	20"	27"	7 3/4"	23 3/8"	30 3/8"	21"	28"	3 1/2"	
___4013	SURF. MTD.	23 3/16"	30 3/16"	8 1/4"	23 3/8"	30 3/8"	-	-	-	

*MEETS A.D.A. PROJECTION CRITERIA

Look to JL Industries for Additional Products Including: • Access Panels • Roof Hatches • Floor Doors • Floor Mats and Gratings • Security Products • Life Safety - Automated External Defibrillators, Emergency Oxygen and Cabinets